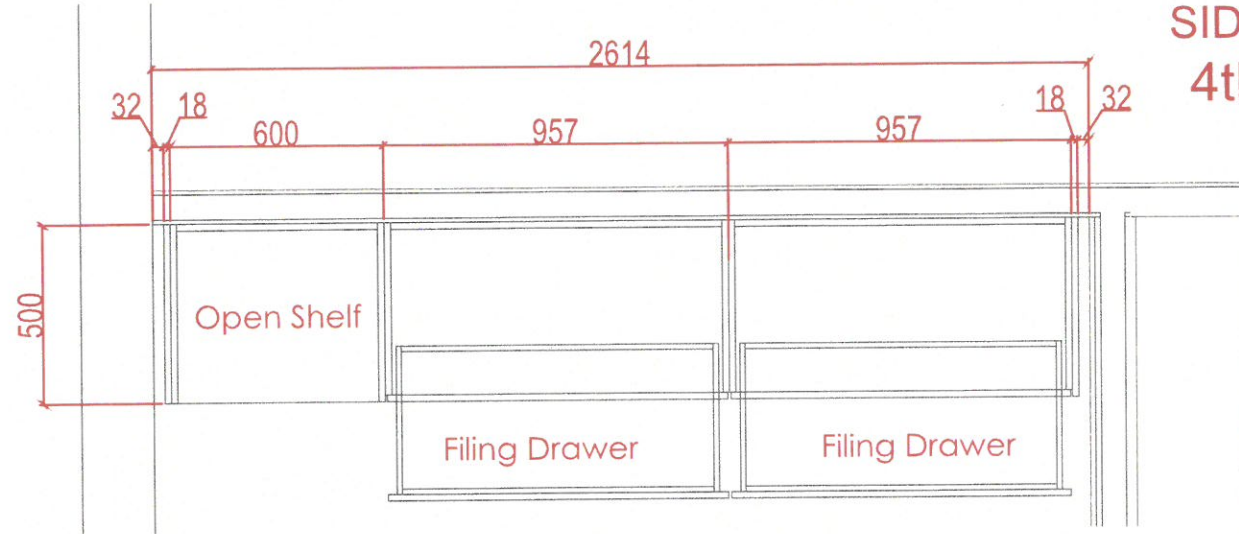


TA / EA OFFICE  
SIDEBOARD  
4th Floor

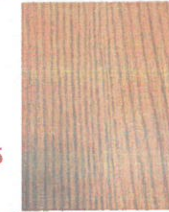


FINISHES

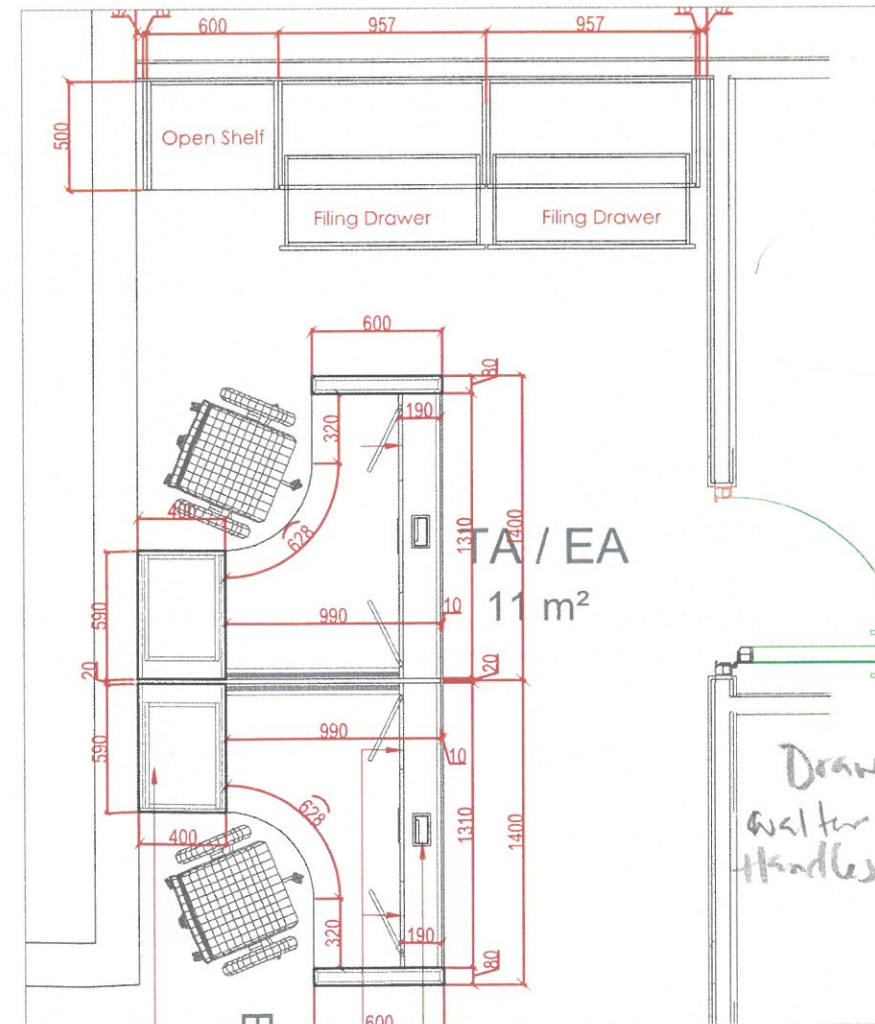
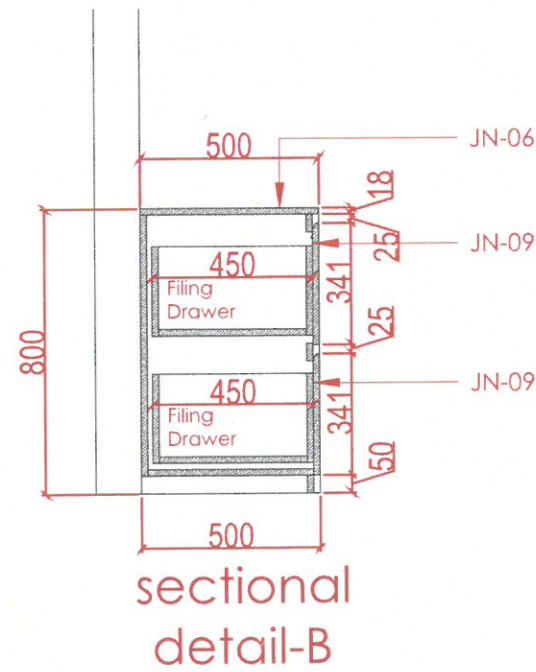
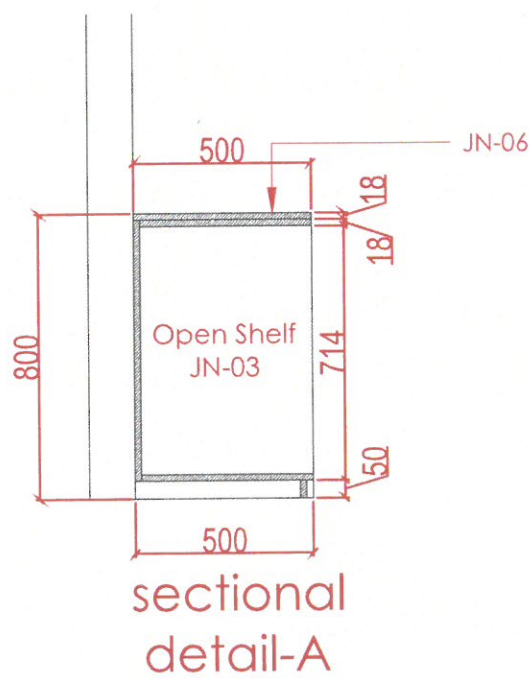
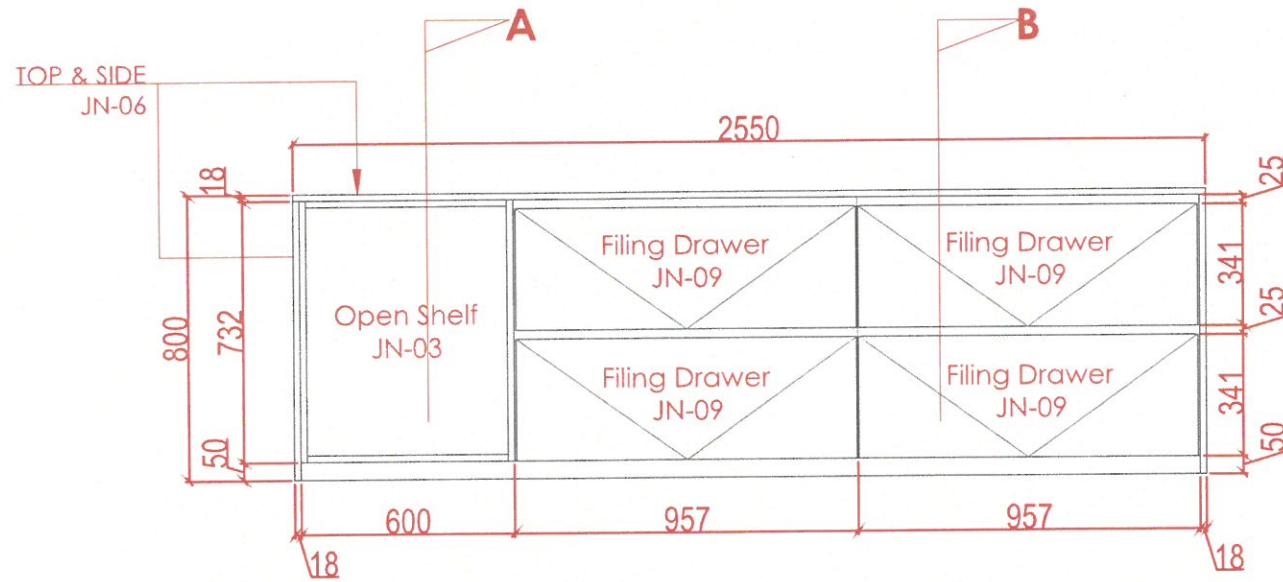
JN-09



JN03  
STARWOOD 905



JN-06



FOR APPROVAL

Project No. : --  
Scale : N/A  
Drawn by : OBJ  
Checked : OBJ  
Cad File : CAD\_FILE  
Sheet title  
4TH FLOOR  
TA / EA OFFICE  
SIDEBOARD  
Floor Plan / Elevation / Sections

Dwg No.	No.
WS-DS-SD-ND-034	SHEET 1

*Drawer ends 40 cm - 4 pcs  
Walter Smith cable mgmt  
handles - 4 pcs*